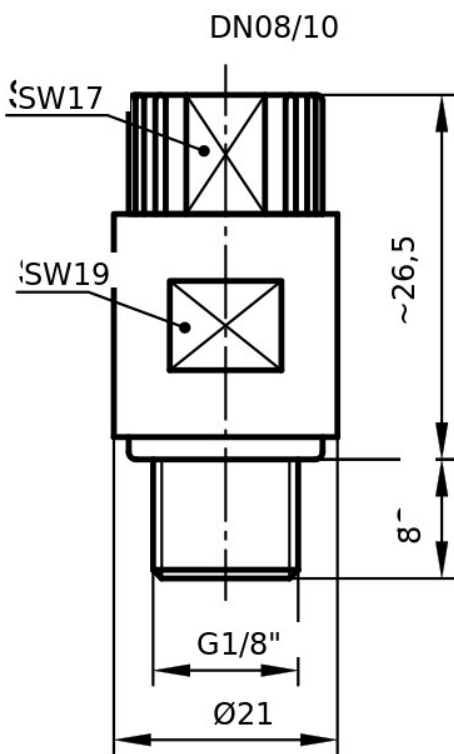




1+100MG4518PV

1+ G-

A	DN08/10
B	G1/8"
	PVDF
	PVDF
	PN16
	140°C



(mm);

(20°C) , 가 가 .