

EN

# Inline Filter 7F400

## Assembly and Operation Instructions

# Contents

<b>1</b>	<b>General information</b>	<b>3</b>
1.1	Introduction	3
1.2	Warnings	3
1.3	Special Hazards	3
1.4	General Safety Instructions	3
1.5	Designated Use	3
1.6	Reasonably Foreseeable Misuse	3
<b>2</b>	<b>Manufacturer's Specification</b>	<b>4</b>
2.1	Description	4
2.2	Transport and Storage	4
<b>3</b>	<b>Technical Data</b>	<b>4</b>
3.1	Dimensions 7F400TA	4
3.2	Dimensions 7F400FTC	4
3.3	Dimensions 7F400TAF	4
3.4	Dimensions 7F400TC	5
3.5	Dimensions 7F400TCF	5
3.6	Dimensions 7F400FTA	5
3.7	Dimensions 7F400TT	5
3.8	Operating Medium	6
3.9	Pressure Guide	6
3.10	KVs values	6
<b>4</b>	<b>Assembly and Operation</b>	<b>6</b>
4.1	Assembly Instructions	6
4.2	Tools Required	6
4.3	Connecting the Inline Filter	6
4.4	Torque Chart	7
4.5	Fastening Options	7
<b>5</b>	<b>Commissioning</b>	<b>7</b>
5.1	Precondition for Commissioning	7
<b>6</b>	<b>Maintenance</b>	<b>7</b>
<b>7</b>	<b>Disposal</b>	<b>7</b>
<b>8</b>	<b>Return Delivery</b>	<b>7</b>
<b>9</b>	<b>Troubleshooting / Fault Rectification</b>	<b>8</b>
<b>10</b>	<b>Manufacturer's Declaration</b>	<b>8</b>
<b>11</b>	<b>Contact</b>	<b>8</b>






## 1. General information

### 1.1 Introduction

- These instructions apply to series 7F400 Inline Filter, also referred to below as fittings.
- Read the instructions completely before using our products to prevent injuries, material damage and malfunctions!
- Save the instructions for later reference.
- All rights including copyright and industrial property rights are explicitly reserved.

### 1.2 Warnings

- Warnings are always identified by a signal word. The following signal words or hazard levels are used:

 Danger	<b>Danger:</b> Failure to follow instructions will lead to serious injuries or death. High risk level of endangerment.
 Warning	<b>Warning:</b> Failure to follow instructions may lead to serious injuries or death. Moderate risk level of endangerment.
 Caution	<b>Caution:</b> May lead to slight or moderate injuries. Low risk level of endangerment.
 Note	<b>Note:</b> Refers to an instruction that must absolutely be followed.
 Information	<b>Information:</b> Gives useful tips and recommendations..

### 1.3 Special Hazards

- It must be ensured that the fitting is resistant for the media and temperatures that will be used. The resistance of the fitting with aggressive media depends in individual cases on many variables (such as the temperature, concentration ratio of the medium, material, environment, tube material etc.). The person ordering the fitting is responsible for checking for the specific application. In case of doubt install the fitting on a trial basis.
- Always comply with the safety data sheets or the safety requirements for the media you are using!
- Before removing the fitting it must be ensured that there is no more medium in the flexible tube/pipe system and the pressure has completely dissipated. Exercise caution for toxic, corrosive or hot media residue flowing out of the line or remaining in dead spaces.

### 1.4 General Safety Instructions

- The fitting must be properly connected to the flexible tube/pipe system.
- Before installing the fitting make certain that external mechanical effects such as thrust and bending forces are not acting on the flexible tube/pipe system.
- Installation, commissioning, operation, installation, maintenance, troubleshooting and disassembly must only be performed by qualified specialists with due consideration of accident prevention regulations. Personnel must be capable based on their technical training and experience of performing assembly tasks, following technical specifications and recognizing possible dangers.
- Personnel with deficient knowledge must be trained and instructed.
- Areas of responsibility and responsibilities must be precisely regulated and personnel must be monitored.

These safety instructions do not take into consideration any:

- Coincidences and events that could occur at the customer location during assembly, operation and maintenance.
- Local safety requirements, for which the operating company is responsible to ensure compliance, including assembly personnel who are used.

### 1.5 Designated Use

- The fitting must only be operated within the permitted usage ranges for pressure and temperature.
- Only the operating media named in the documentation are permitted to flow through the fitting.
- The fitting must only be operated if it is in flawless technical condition.
- The fitting must not be operated if it is in partially assembled condition.
- If other operating modes are not named in the documentation, they must be approved with the manufacturer.

### 1.6 Reasonably Foreseeable Misuse

- Any usage other than designated use.
- Do not make any modifications to the product by yourself!
- Components should only be retrofitted after consultation with the manufacturer.



## 2 Manufacturer's Specification

### 2.1 Description

The Inline Filter 7F400 cleans the used gaseous media of particles.

### 2.2 Transport and Storage

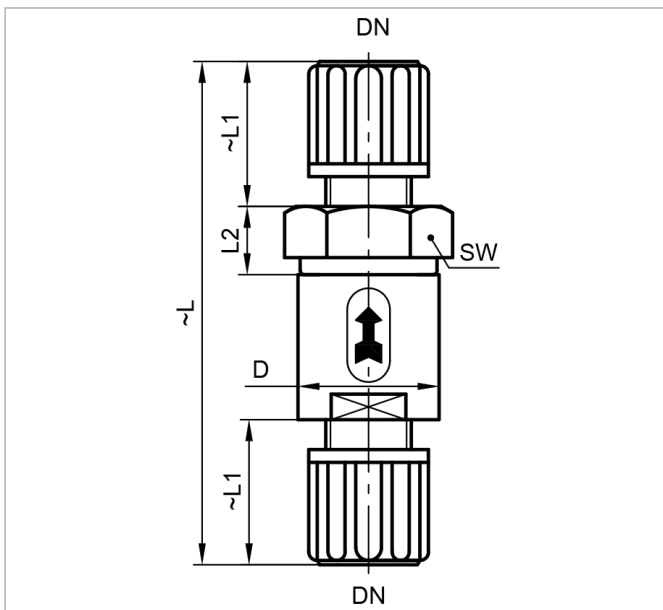
- The fitting must be protected against mechanical damage, moisture, dirt and dust. The storage temperature range is 10 – 40°C.
- Avoid UV radiation and direct sunlight.
- Leave the fitting in its original packaging to ensure the best possible protection.
- Dispose of the packaging material according to disposal requirements/environmental protection regulations.



Warning

## 3 Technical Data

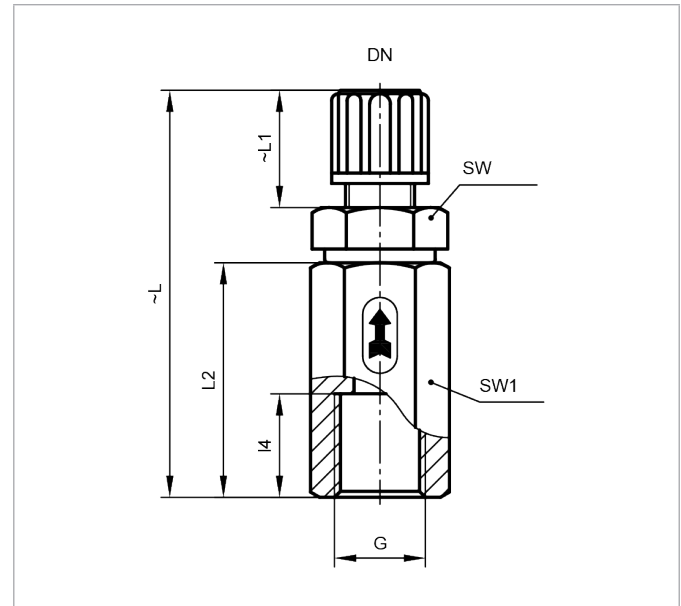
### 3.1 Dimensions 7F400TA



DN	Ø D	~ L	~ L1	L2	SW
04/06	16.5	59	17	8	17
06/08	16.6	67	21	8	17
10/12	26.5	90	28	12	27
12/14	30	114	33	15	32
18/20	32.5	128	40	15	32

All data in mm

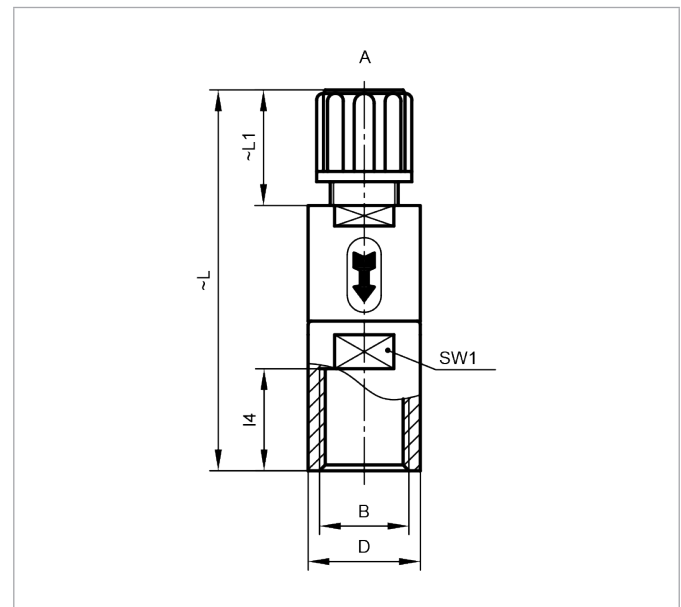
### 3.2 Dimensions 7F400FTC



DN	G	Ø D	~ L1	I4	L2	~ L	SW	SW1
04/06	1/4"	16.5	17	15	34	59	17	14

All data in mm

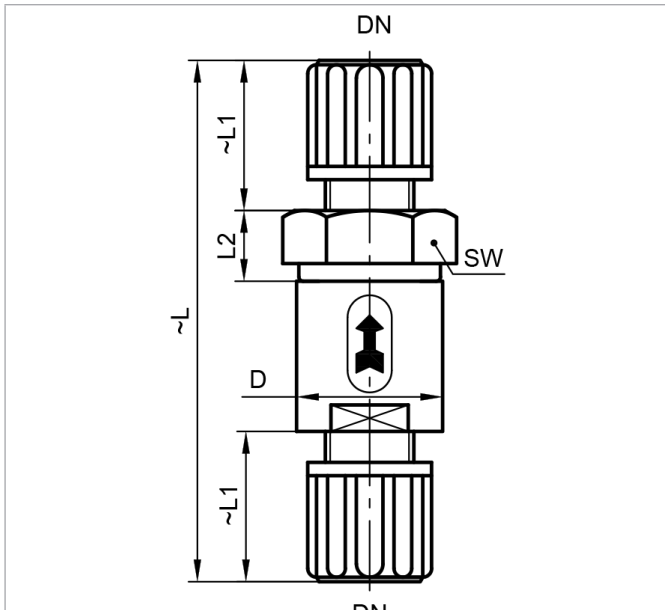
### 3.3 Dimensions 7F400TAF



A	B	Ø D	~L1	I4	~L	SW1
DN04/06	G1/4"	16.5	17	15	56	SW14

All data in mm

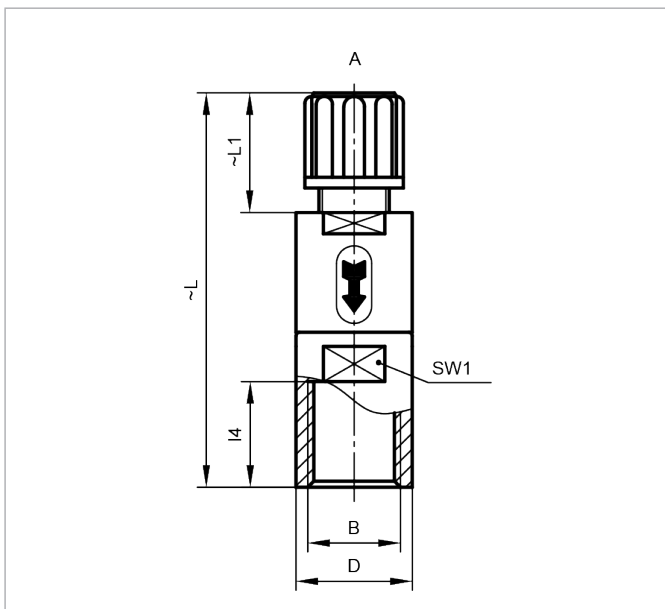
### 3.4 Dimensions 7F400TC



DN	Ø D	~ L	~ L1	L2	SW
04/06	16.5	59	17	8	17
08/10	21.5	74.5	24	9.5	22

All data in mm

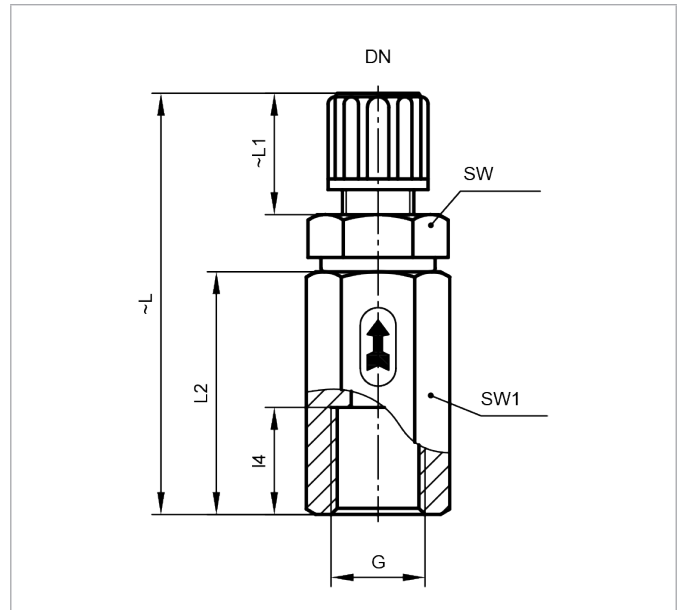
### 3.5 Dimensions 7F400TCF



A	B	Ø D	~ L1	I4	~ L	SW1
04/06	G1/4"	16.5	17	15	56	SW14

All data in mm

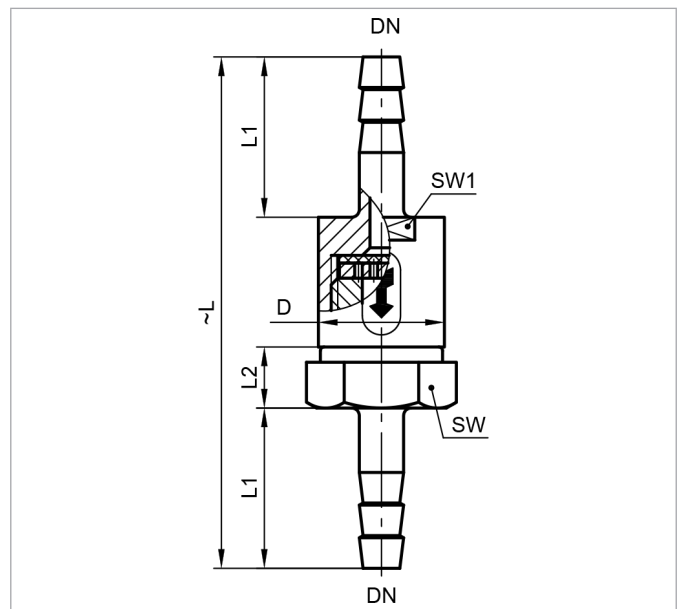
### 3.6 Dimensions 7F400FTA



DN	G	Ø D	~ L1	I4	L2	~ L	SW	SW1
04/06	1/4"	16.5	17	15	34	59	14	14

All data in mm

### 3.7 Dimensions 7F400TT



DN	Ø D	L1	L2	~ L	SW	SW1
04	19	21	8	70	17	17
06	19	23	8	74	17	17
08	24	23	9.5	74	22	22
10	24	27	9.5	82	22	22

All data in mm

Missing dimensions can be found on our homepage under the following link: [www.em-technik.com](http://www.em-technik.com)

Special sizes can be asked via [info@em-technik.com](mailto:info@em-technik.com)

### 3.8 Operating Medium

- Neutral, gaseous and liquid media that do not negatively affect the physical and chemical properties of the relevant housing and sealing material.
- If you have questions about resistance please contact **emtechnik**.
- For the maximum permitted operating pressure/temperature see the pressure guide.

### 3.9 Pressure Guide

As the temperature rises, the effectiveness of the fitting falls, as shown by this table.

Material	PP	PVDF	PFA
Pressure Stage	PN 10	PN 10	PN 10
-40°C		75%	75%
-20°C		100%	100%
5°C	100%	100%	100%
20°C	100%	100%	100%
30°C	80%	80%	90%
40°C	70%	70%	85%
50°C	60%	60%	80%
60°C	50%	50%	70%
70°C	40%	45%	60%
80°C	30%	40%	50%
90°C	20%	35%	40%
100°C		35%	40%
110°C		30%	35%
120°C		25%	30%
130°C		25%	30%
140°C		10%	25%
150°C			20%
160°C			15%
170°C			10%
180°C			10%

### 3.10 Kvs Values

Flow range (without filter element)	1,190 NI/h air ΔP 0.1 bar
Filter surface	0.9 cm <sup>2</sup>

## 4 Assembly and Operation

### 4.1 Assembly Instructions

- Make certain the fitting is suitable for the relevant application. The fitting must be suitable for the operating conditions of the pipeline system (medium, concentration, temperature and pressure) as well as the relevant ambient conditions.
- Check the fitting for transport damage before installing it. If the fitting is damaged do not install it.
- The planner, the construction company or operating company are responsible for the positioning and installation of the fitting. Planning and installation errors can adversely affect the reliable functionality of the fitting and may represent a significant potential for hazard.
- After the fitting is installed perform a tightness and function check.



Warning



Warning

### 4.2 Tools Required

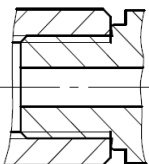
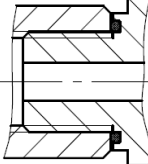
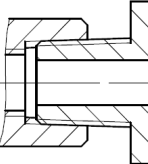
The tools required for installation and assembly are not included with delivery.

### 4.3 Connect Inline Filter

- The fitting must be connected to the pipeline so it is free of mechanical stress.
- The Filter has a female thread (ISO, DIN, ANSI) and/or a tube connection can be connected with various connecting elements of the **emtechnik** system.



Warning

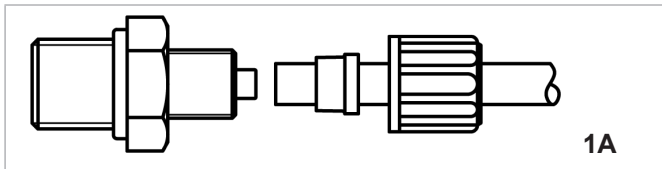
Cylindrical thread		Conical thread
Sealing is provided by a sealing collar for Cylindrical threads (G, M or UNF). A version with an O-ring is also possible.		Sealing is provided by the thread itself for Conical threads (NPT).
Sealing Collar	O-Ring	Thread
		

- Each thread must always be connected with the same thread type.
- If a plastic fitting is used in combination with a metallic male fitting, additional sealing with Teflon® tape is recommended.

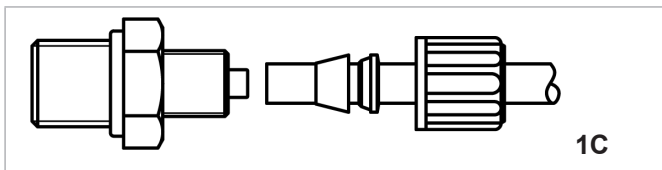


Regard the following steps when mounting the tube connectors:

- Cut off the flexible tube in a right angle.
- Push the knurled nut and the clamping (connection principle 1A) or the sealing ring and cutting ring (connection principle 1C) over the end of the flexible tube.

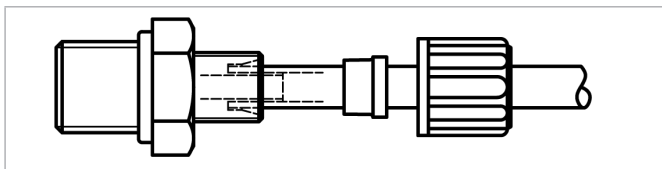


1A

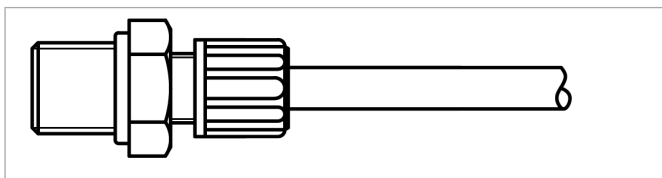


1C

- Push the end of the flexible tube onto the connecting sleeve up to the stop.



- Screw on the knurled nut by hand and secure hand-tight. Regard the torque table.



#### 4.4 Torque Chart

Plastic	Thread				
	G 1/8"	G 1/4"	G 3/8"	G 1/2"	G 3/4"
PP	1.0–1.5	2.5	5.0–6.0	5.0	10.0
PVDF	1.0–2.0	5.0	5.0–7.0	10.0	15.0
PFA	0.3	0.5	1.0	2.5	5.0
PTFE	0.3	0.5	1.0	2.5	5.0

#### 4.5 Fastening Options

For the Inline Filters are no fastening options intended.

## 5 Commissioning

### 5.1 Precondition for Commissioning

- Protect against leaks: Take protective measures against exceeding the maximum permitted pressure due to possible pressure surges.
- Check the tightness and function of the fitting.
- In new systems and after repairs, flush the line system to remove foreign materials.



Warning

## 6 Maintenance

- When used as designated, the fitting is practically wear-free and generally requires no maintenance.
- The operating company must perform regular visual inspections of the fitting according to the operating conditions to prevent leaks and damage.

## 7 Disposal

- When disposing of the fitting and packaging, comply with the relevant disposal requirements and environmental protection regulations.
- When disposing of fittings, pay careful attention to any residues of toxic or corrosive media.



Warning

## 8 Return Delivery

Do not return before consulting with **emtechnik**.



1. Please consult with **emtechnik**.
2. Empty the fitting properly.
3. Rinse and clean the fitting thoroughly, especially if the media is being conveyed are harmful, explosive, hot, or hazardous in some other way.
4. For fittings that have been operated with aggressive, corrosive, combustible, toxic or water polluting media, a completely filled in clearance certificate must always be included.

## 9 Troubleshooting / Fault Rectification

Error	Possible cause	Error rectification
Filter housing leaking	Filter defective	Check filter for damage, replace if necessary
No flow	Filter membrane clogged	Change filter membrane

## 10 Manufacturer's Declaration

- Our products do not fall under the scope of the Machinery Directive 2006/42/EC. However, they can be incorporated in an installation that is considered as machinery. In this case regard the following note: The products may not be put into operation until it is made sure that the final machinery into which our products are incorporated complies with the provisions of the Machinery Directive 2006/42/EC.
- Based on the fluid class, pressure and nominal diameter, our products fall under diagram 8 of the Pressure Equipment Directive PED 2014/68/EU. Because of the ratio of nominal diameter, pressure and volume, they fall only under article 4 paragraph 3 and are designed and manufactured according to applicable good engineering practice. They must not carry any CE marking.
- The warranty of armature expires in the following cases: Operating conditions which do not follow the intended use or do not follow technical specifications. Improper installation or assembly. Just as well as inappropriate use, dismantling or modification.
- Failure to observe information provided here may lead to injuries, material damage, malfunctions and impurities due to escaping medium.



Warning

## 11 Contact

In case of questions or suggestions please contact us:

### EM-Technik GmbH

Industriestr. 2                      Tel +49 6237 407-0  
 67133 Maxdorf                      Fax +49 6237 407-77  
 Germany                              info@em-technik.com